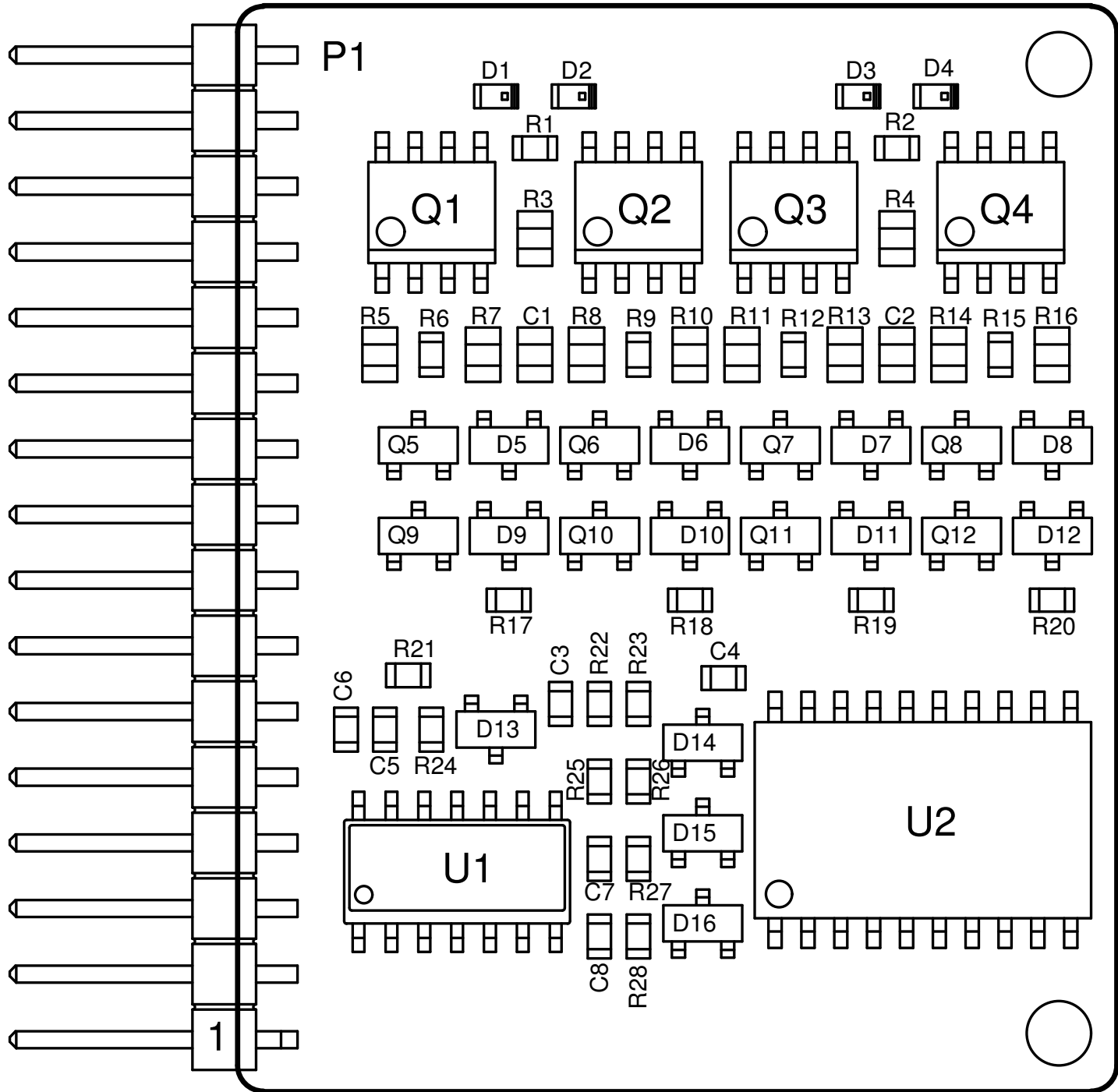


Dual H-Bridge v1.1 2011-09-05

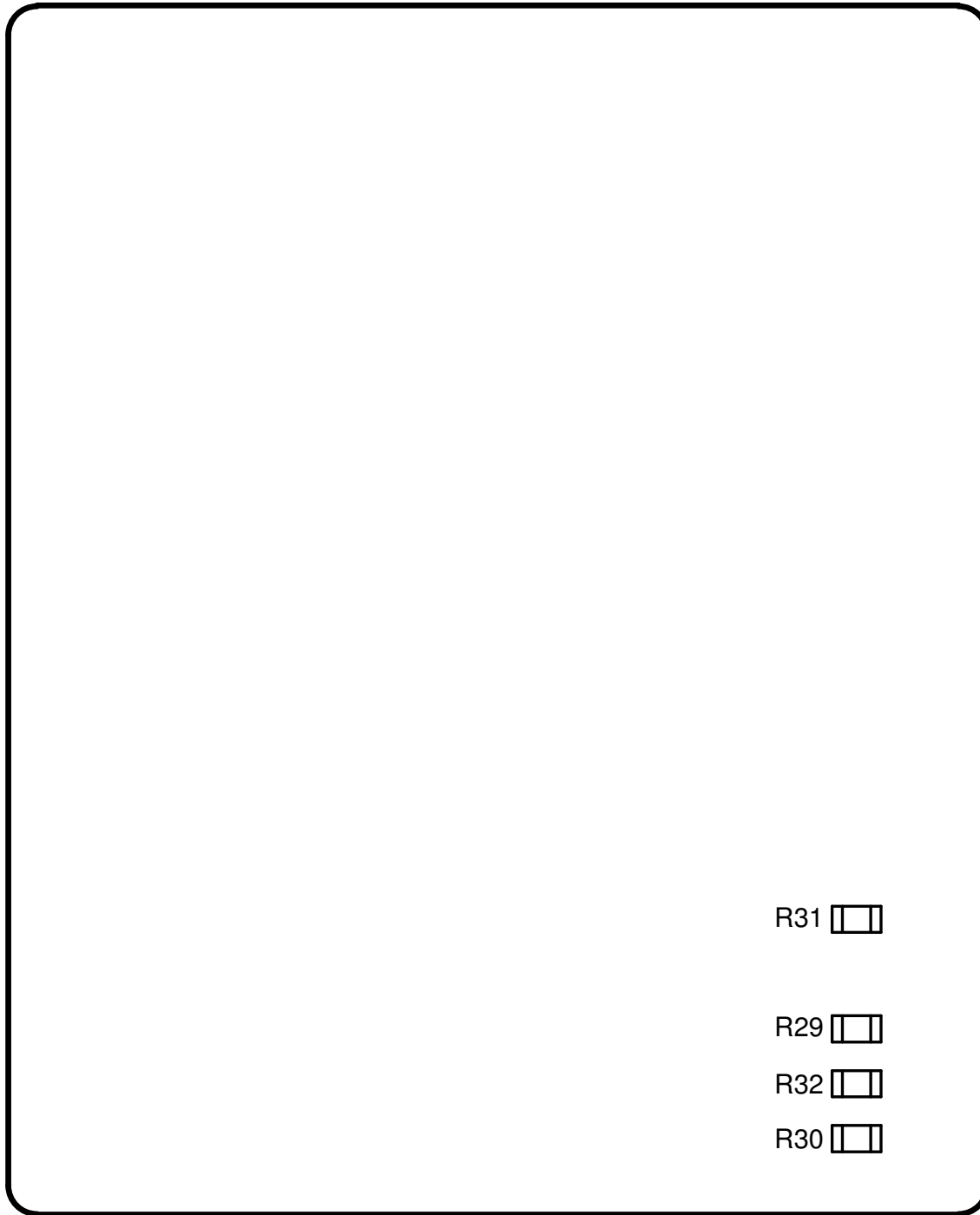
Top Assembly


OUT2-
OUT2+
SENSE2
GND
OUT1+
OUT1-
SENSE1
GND
VDD_POW
GND
VDD5V
GND
EN2
EN1
DIR2
DIR1





Dual H-Bridge v1.1 2011-09-05


Bottom Assembly



R31 

R29 

R32 

R30 

Dual H-Bridge v1.1 2011-09-05

Top Assembly

- OUT2-
- OUT2+
- SENSE2
- GND
- OUT1+
- OUT1-
- SENSE1
- GND
- VDD_POW
- GND
- VDD5V
- GND
- EN2
- EN1
- DIR2
- DIR1

